

Who can benefit from SOLVOX mobile

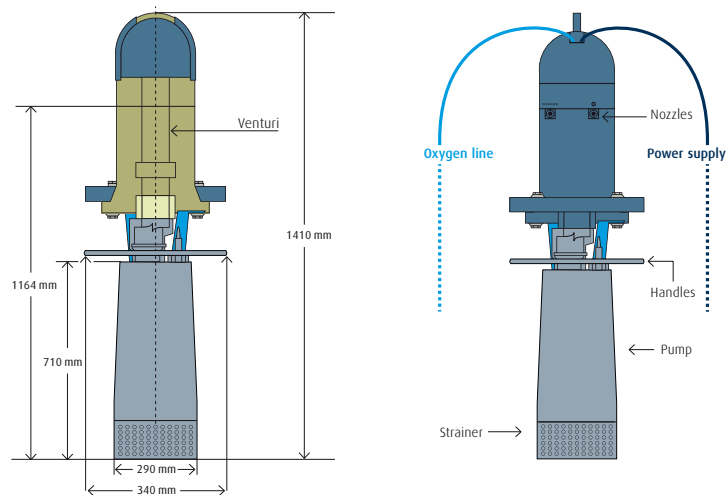
- Ideal for small- and medium-sized industrial plants, both with temporary and semi-permanent aeration needs
- Operators who face variable loading or seasonal demand
- Plants with moderate mixing demand that need additional mixing
- Basins with water depth ranging from 3 m to 15 m (10 to 49 ft)

Technical characteristics

SOLVOX mobile	Metric system	Imperial system
Capacity O ₂ /h	10 to 25 kg	22 to 55 lbs
Power rating P1	7,5 kW	10 hp
Power supply	380-400 V / 50 Hz (EU version)	480 V / 60 Hz (US version)
Weight	105 kg	232 lbs
Cable	20 m	66 ft
Head	1,5 barg	218 psi
Total height	1410 mm	4,6 ft
Pump type (IP68)	Centrifugal – radial	Centrifugal – radial
Water temperature max.	45 °C	113 °F
Pump flow	50-60 m ³ /h	13200-15850 gal/h
Minimum immersion	3 m	10 ft
Maximum immersion ¹	15 m	49 ft
Solids diameter	<10 mm	<0.39 in

¹ Allows for 5m (16ft) of cable out of the water.

External features and dimensions



- Four jet nozzles for effective mixing
- High-density polyethylene body (HDPE)
- Patented SOLVOX low-pressure-drop venturi
- Stainless steel pump body
- Low noise level
- No aerosol, noise or foam